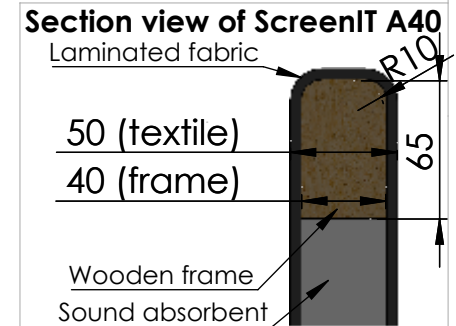
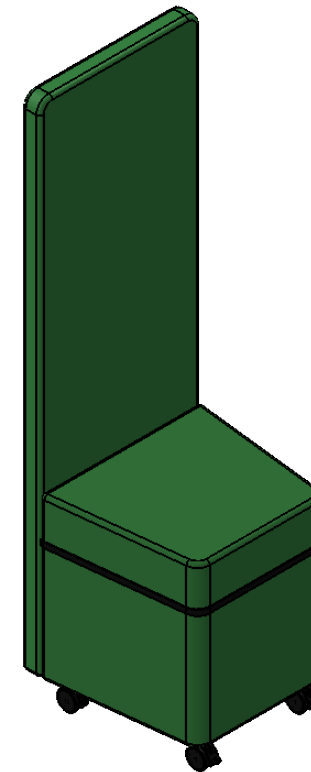
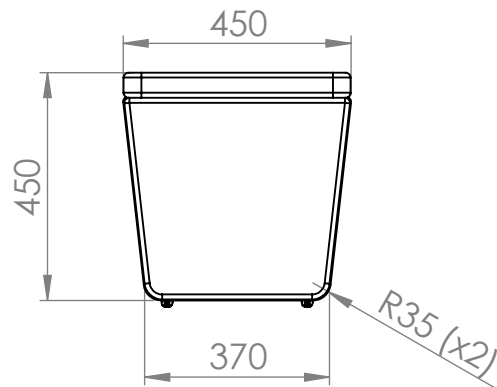
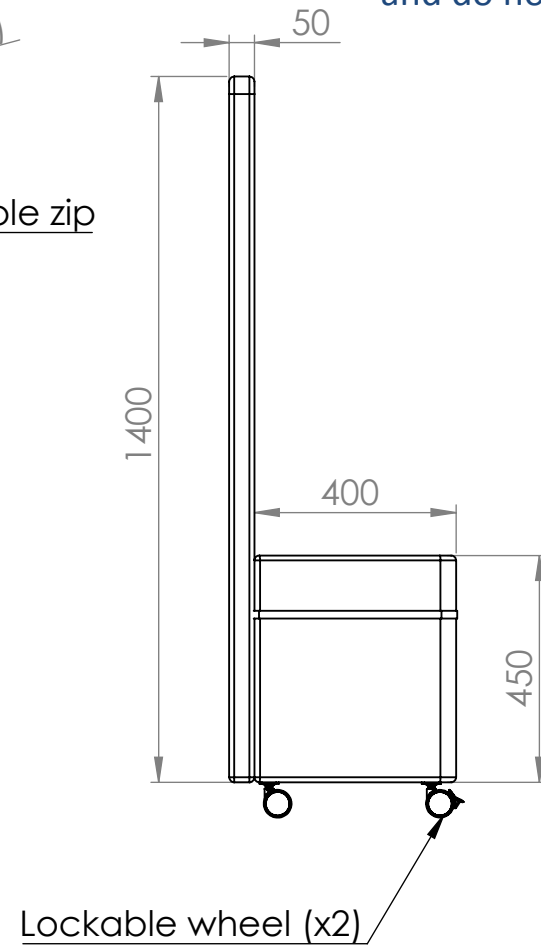
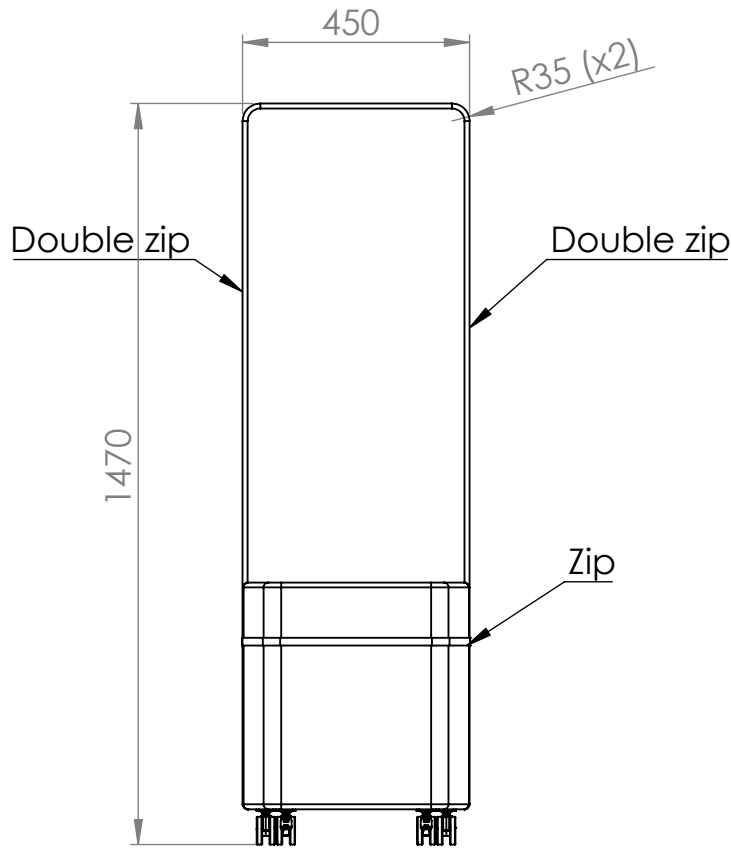


These measurements refer to the frame work and do not include upholstery, seam or zip

Tolerances (mm)			
Dimension			Deviation
(1)	-	20	±0,2
(20)	-	50	±0,5
(50)	-	200	±1,0
(200)	-		±2,0



GÖTESSONS

Material	x	Art.nr.	647810	Blad	1/1	A4
Skala	1:15	Sign.	Tolle	Benämning		Rev
		Datum	2016-12-19	Connecting Seat with back panel incl. double zip		-